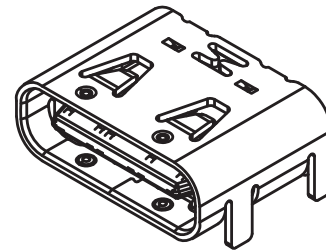


INTERFACE(FRONT VIEW)

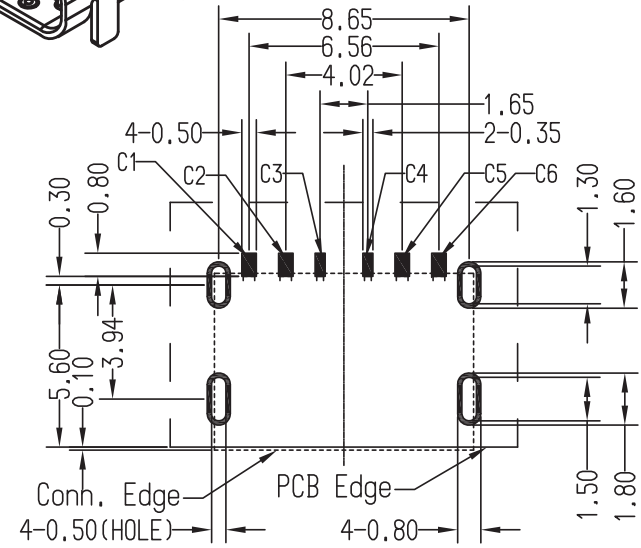
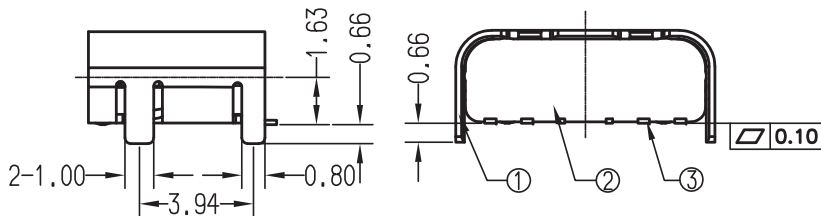
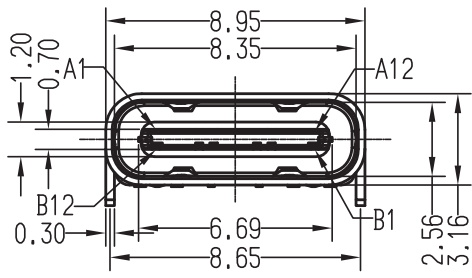
A1	A2	A3	A4	A5	A6	A7	A8	A9	A10	A11	A12
GND	/	/	V _{BUS}	CC1	/	/	/	V _{BUS}	/	/	GND
GND	/	/	V _{BUS}	/	/	/	CC2	V _{BUS}	/	/	GND
B12	B11	B10	B9	B8	B7	B6	B5	B4	B3	B2	B1

PIN ASSIGNMENT:

Pin No.	A1&B12	A4&B9	A5	B5	A9&B4	A12&B1
Signal Name	GND	V _{BUS}	CC1	CC2	V _{BUS}	GND
PCB PAD No.	C1	C2	C3	C4	C5	C6

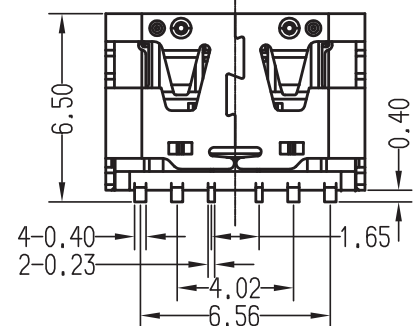


Rev.	ECN No.	DESCRIPTION
A	2018/01/02	PUBLISH



RECOMMENDED P.C.B LAYOUT (COMPONENT SIDE)

PCB THICKNESS: 0.80±0.05mm
DEFAULT TOLERANCE: ±0.05mm



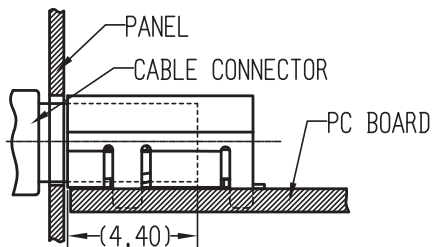
PRODUCT NO.: KLT.11 2 - 10 * * - 0 2 4

Prefix Code: KLT.11
Series Code: 2
USB Type C Conn. Connector Type: 10
Plating 1:Gold flash
2:15u"Au
3:30u"Au

Lead Free Code: 4=Halogen Free
Package Code: 2=Tap/Reel
Body&Terminal Type: Right Angle&SMT
Extension Code: 4

NOTES:

- ELECTRICAL CHARACTERISTICS:
 - CONTACT CURRENT RATING: 5.0A FOR V_{BUS} PIN AND GND PIN, 0.25A MIN FOR ALL OTHER TERMINALS.
 - CONTACT RESISTANCE: 30MILLIOHM MAX FOR V_{BUS} AND GND CONTACTS, 50MILLIOHM MAX FOR ALL OTHER CONTACTS.
 - DIELECTRIC WITHSTANDING VOLTAGE:100 VRMS AC MIN.
 - INSULATION RESISTANCE:100 MEGOHMS MIN.
- MECHANICAL CHARACTERISTICS:
 - CONNECTOR INSERTION FORCE:5~20N, AT A MAXIMUN RATE OF 12.5MM PER SECOND.
 - CONNECTOR EXTRACTION FORCE:8~20N, AT A MAXIMUN RATE OF 12.5MM PER SECOND.
 - DURABILITY:10000 CYCLES.
 - OPERATING TEMPERATURE:-55° C TO +85° C.
- RECOMMENED PROCESS: IR REFLOW 260° C,3~5SECONDS.
- THE CONNECTOR IS RoHS COMPLIANT.



RECESSED MOUNTING CONFIGURATION

NO.	DESCRIPTION	QTY	MATERIAL	TREATMENT
③	CONTACT	6	COPPER ALLOY	NICKEL UNDERPLATING OVER ALL, GOLD PLATING AT CONTACT AREA AND TERMINATION.
②	PLASTIC	1	THERMOPLASTIC UL 94V-0	MOLDED COLOR: BLACK.
①	SHELL	1	STAINLESS STEEL	TAB WITH LEAD FREE TIN ALLOY.

TOLERANCES UNLESS OTHERWISE SPECIFIED

X.	/	.XXX	/
.X	±0.25	X.°	±1°
.XX	±0.15	.X°	

SHENZHEN KLT TECHNOLOGY Co.,LTD. 深圳市卡雷特科技有限公司

SERIES: USB TYPE C TITLE: Power, SMT TYPE

APPD: Bel 2018/01/02 PART No.: KLT.112-1011-024

CKD: Bruce 2018/01/02 DWG No.: CC0006-1

DR: John 2018/01/02

THESE DRAWINGS AND SPECIFICATIONS ARE THE PROPERTY OF SHENZHEN KLT TECHNOLOGY Co.,LTD. AND SHALL NOT BE REPRODUCED, COPIED OR USED IN ANY MANNER WITHOUT THE PRIOR WRITTEN CONSENT OF SHENZHEN KLT TECHNOLOGY Co.,LTD.

UNITS	MAT'L	FINISH	SCALE	SHEET	REV.
MM	/	/	FULL	1/1	A