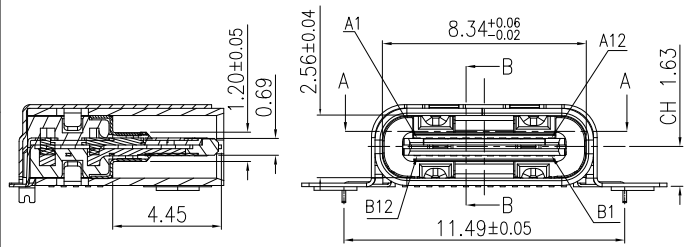


SECTION A-A
SCALE 1-1

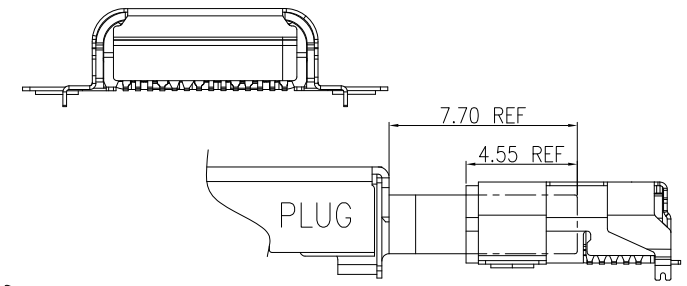
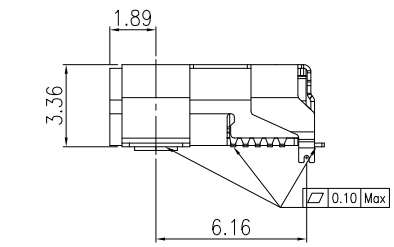
REVISION			
LTR	DESCRIPTION	DATE	APP
A	RELEASE	2017.08.14	Jackson

- NOTES:
- ELECTRICAL:
 - CONTACT CURRENT RATING 5.0A FOR VBUS AND GND(PINS A4 A9 B4 B9)
 - INSULATION RESISTANCE: 100 MEGAOHMS MIN. AT 250VDC.
 - DIELECTRIC WITHSTANDING VOLTAGE: 100VAC MIN.
 - LOW CONTACT RESISTANCE: INITIAL 40mΩ MAX. AFTER 50mΩ MAX.
 - MECHANICAL CHARACTERISTICS:
 - INSERTION FORCE: 5N~20N.
 - EXTRACTION FORCE: 8N~20N FORM 1 TO 1000CYCLES. 6~20N FORM 1001 TO 10000CYCLES.
 - DURABILITY: 10,000 MATING CYCLES
 - OPERATING TEMPERATURE: -55°C TO +85°C
 - COPLANARITY: 0.10MAX.
 - PART NUMBER INFORMATION:

PART NUMBER	CONTACT PLATING
199-1163012401	CONTACT Au Gold flash
199-116391249R	CONTACT Au 5u"
199-1163102401	CONTACT Au 10u"
199-1163152401	CONTACT Au 15u"
199-1163302401	CONTACT Au 30u"



SECTION B-B
SCALE 1-1



MATING INTERFACE

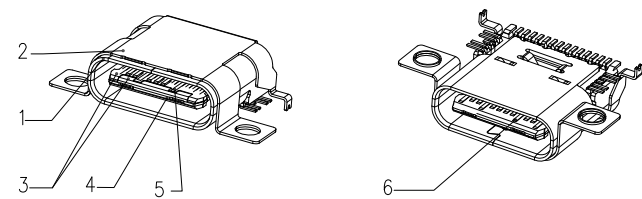
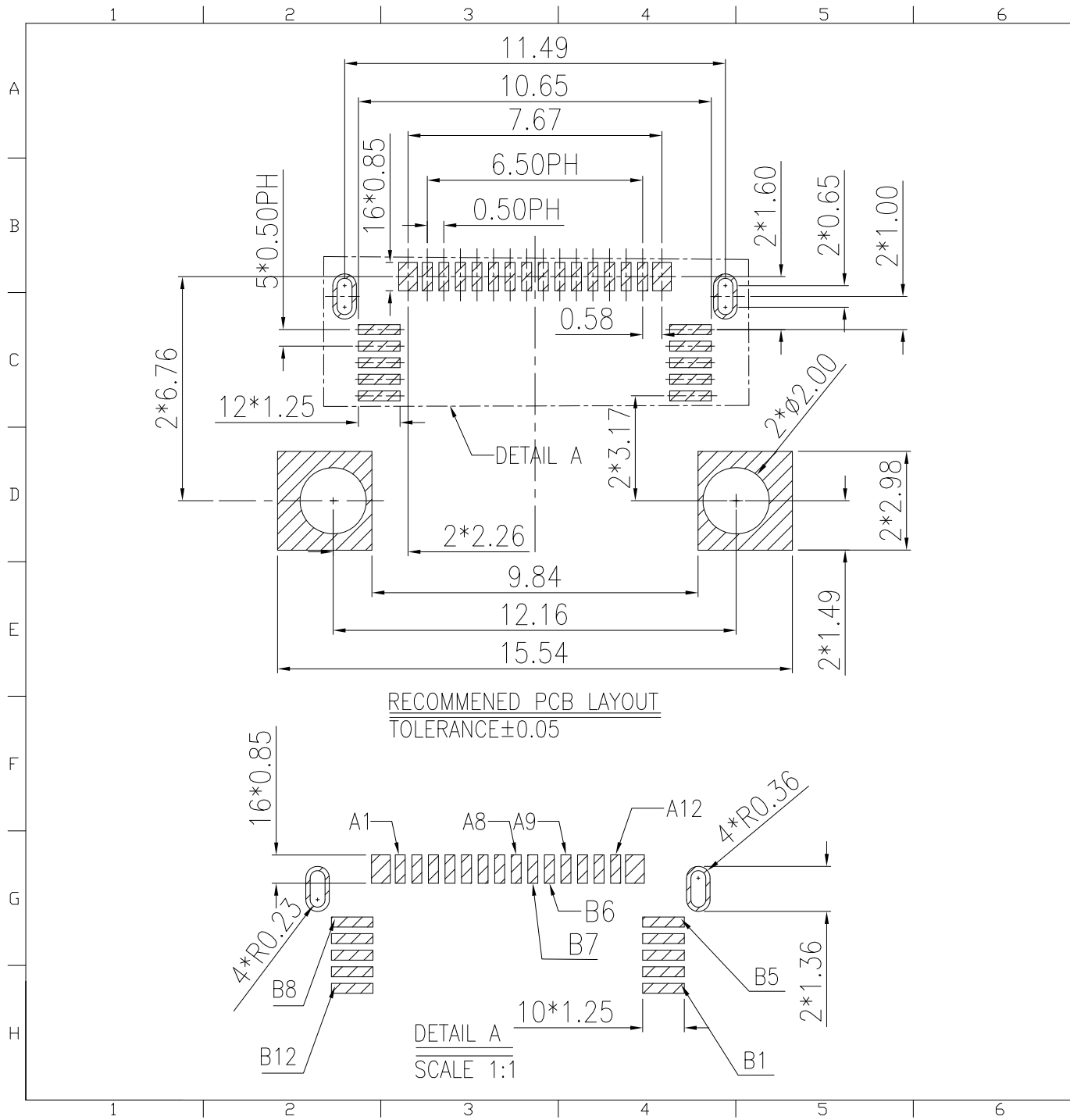


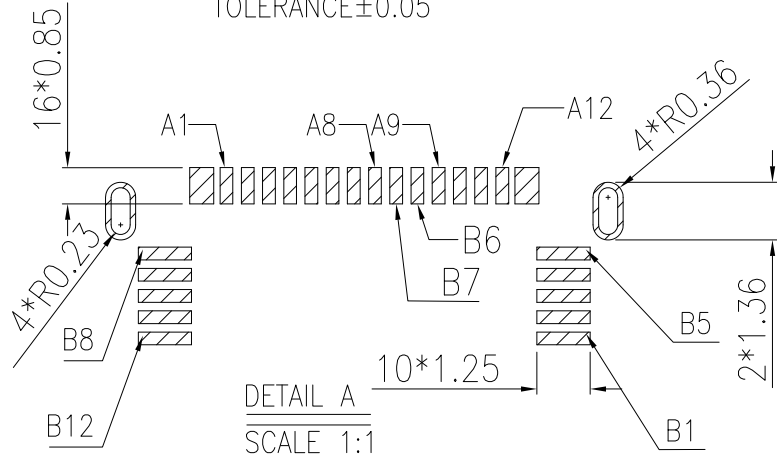
TABLE				
ITEM	PART NAME	QTY	MATERIAL	REMARK
1/2	SHELL	2PCS	STAINLESS	NICKEL PLATED 50u" MIN. OVER ALL CLEAN
3	INSERT HOUSING	2PCS	PA10T	UL94V-0
4	Mid-PLATE	1PCS	STAINLESS	NI PLATED 50u" MIN. OVER ALL
5	TOP CONTACT	1SET	COPPER ALLOY	NI UNDERPLATED 50 u" MIN OVER ALL; Au 1u" ON SOLDER TAIL;
6	BOTTOM CONTACT	1SET	COPPER ALLOY	Gold Flash"or 5u"or 10u"or15u"or 30u" ON CONTACT AREA.

TOLERANCE TABLE	
.X	± 0.15
.XX	± 0.10
.XXX	± 0.05
ANGLE	± 2°

深圳市卡雷特科技有限公司			MODEL USB TYPE C 24PIN FOR G2	
PART NAME ASSEMBLY				
PART NO. SEE NOTES			APPROVED Jackson CHECKED	
TOL. ±		1 PLC2 PLC ANGLE	UNIT mm	DRAWING fanshuqiao
MATERIAL		SEE TABLE	SCALE 1:1	REV A
FINISH		SEE TABLE	DATE 2017.08.14	SHEET 1/2
THE 3RD PROJECTION		DWG. NO. P914163-02	SHEET NO.	



RECOMMENED PCB LAYOUT
TOLERANCE ±0.05



DETAIL A
SCALE 1:1

REVISION			
LTR	DESCRIPTION	DATE	APP
A	RELEASE	2017.08.14	Jackson

PIN	SIGNAL NAME	PIN	SIGNAL NAME
A1	GND	B12	GND
A2	SSTXp1	B11	SSRXp1
A3	SSTXn1	B10	SSRXn1
A4	VBUS	B9	VBUS
A5	CC1	B8	SBU2
A6	Dp1	B7	Dn2
A7	Dn1	B6	Dp2
A8	SBU1	B5	CC2
A9	VBUS	B4	VBUS
A10	SSRXn2	B3	SSTXn2
A11	SSRXp2	B2	SSTXp2
A12	GND	B1	GND

深圳市卡雷特科技有限公司		MODEL	
PART NAME		ASSEMBLY	
PART NO.		SEE NOTES	
TOLERANCE TABLE		APPROVED	
.X ± 0.15		Jackson	
.XX ± 0.10		CHECKED	
.XXX ± 0.05		fanshuqiao	
ANGLE ± 2°		DATE	
THE 3RD PROJECTION		2017.08.14	
DWG. NO.		REV	
P914163-02		A	
SHEET NO.		2/2	

TOL.	±	ANGLE
.X	±	0.15
.XX	±	0.10
.XXX	±	0.05
ANGLE	±	2°